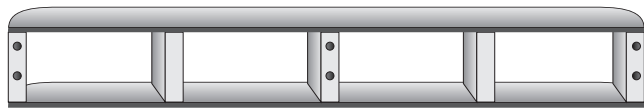
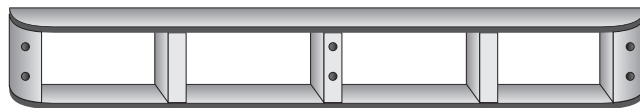


Materials & Hardware

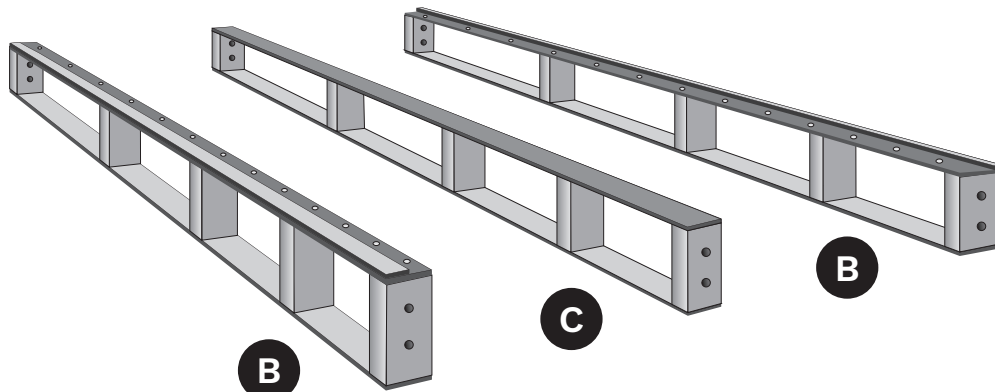
- | | | |
|--|------------------------------|------------------------------|
| A 2 – End Rails | D 13 – Slats | G 12 – Washers |
| B 2 – Side Rails | E 1 – Cover | H 12 – Wing Nuts |
| C Center Support Rail
0 – Twin & Twin XL
1 – Full & Queen
2 – King & CA King | F 12 – Carriage Bolts | I 26 – Plastic Rivets |



A



A



B

C

B



D



F



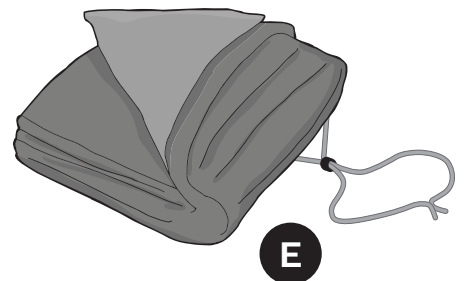
G



H



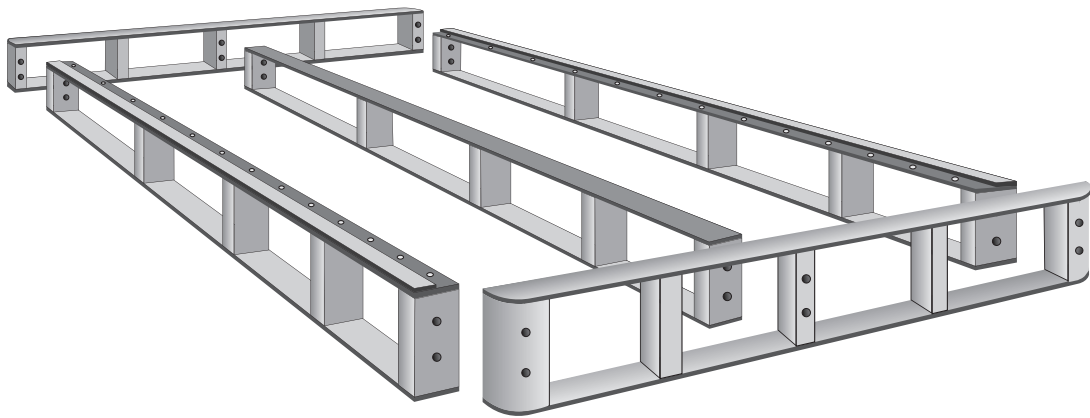
I



E

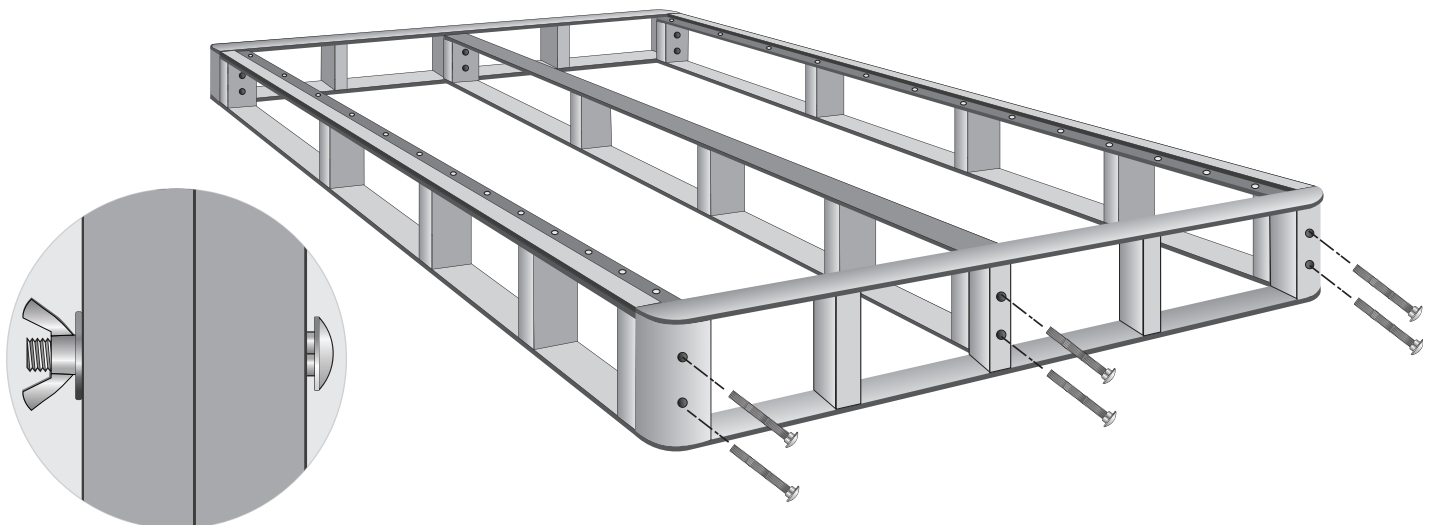
Step 1

Place Side and Center Support Rails on floor parallel to each other.



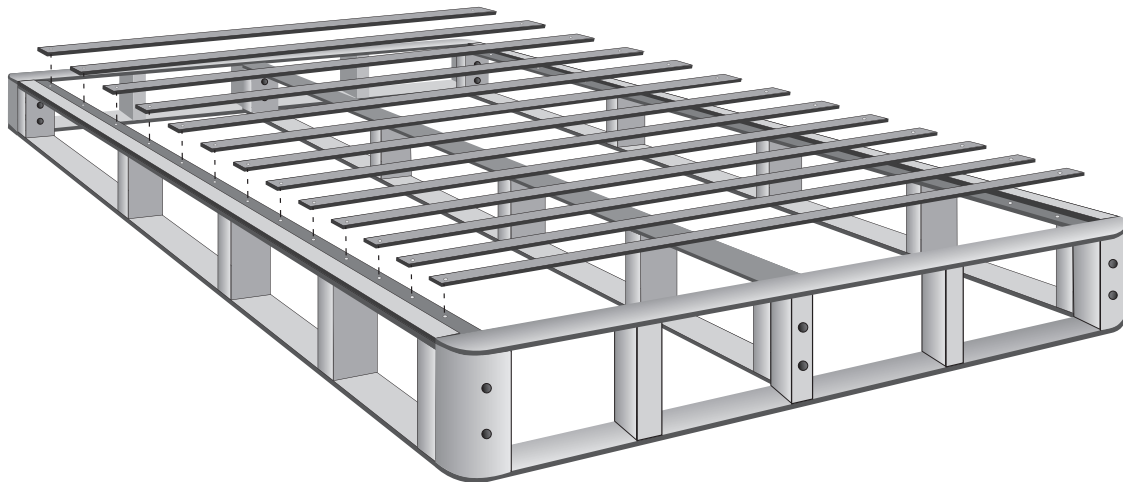
Step 2

Fasten End Rails to Side and Center Support Rails (no Center Rail if kit is a Twin or Twin XL) using Bolts, Washers and Wing Nuts. Do not fasten tightly. Repeat Step 2 at other end of Foundation. When completely assembled hand tighten all Wing Nuts.



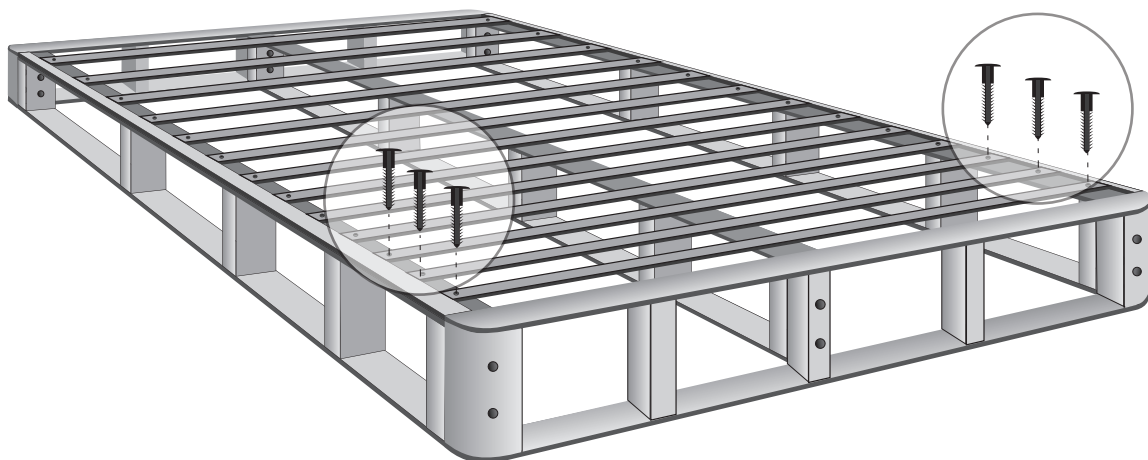
Step 3

Place the Slats on the Side Rails of the Foundation at each predrilled hole.



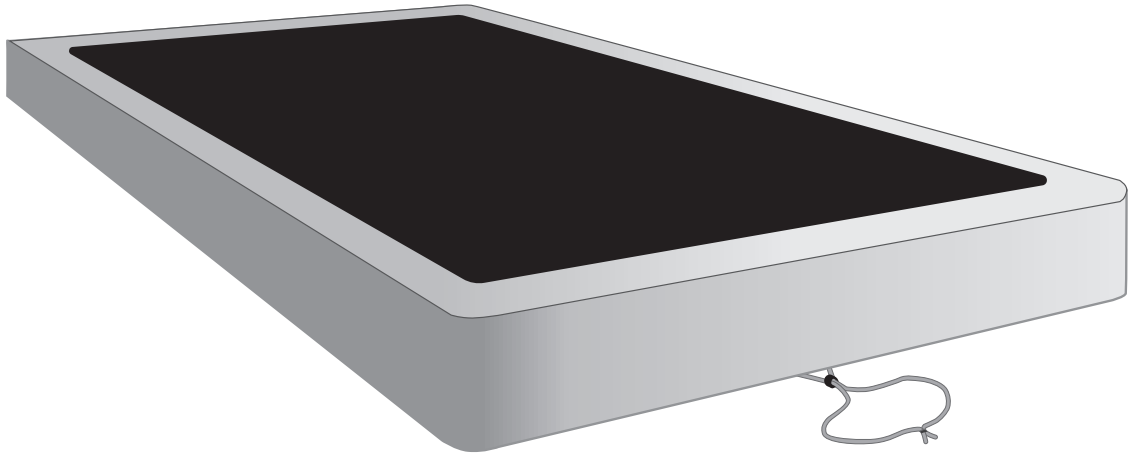
Step 4

Insert Plastic Rivets in Slats as shown.



Step 5

Unfold the Cover and place on the Foundation. Get each corner started a little, then pull down snugly on all sides.



Step 6

Pull the drawstring to tighten the Cover and slide the locking ball in place.

